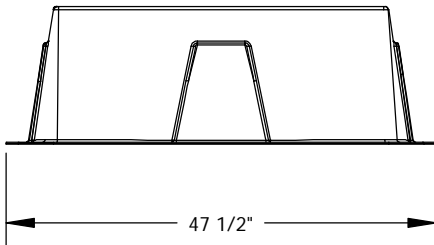
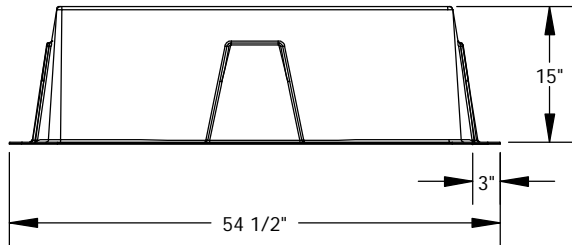
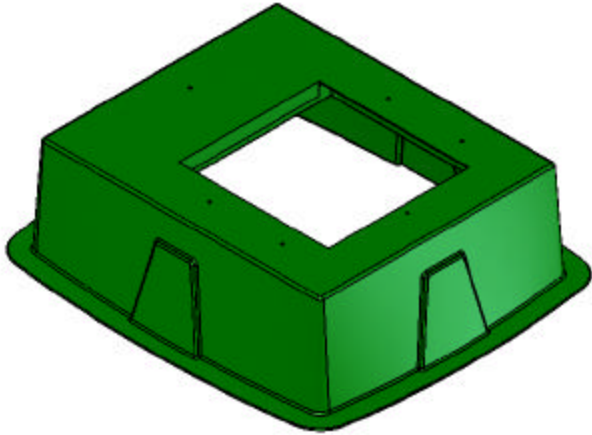
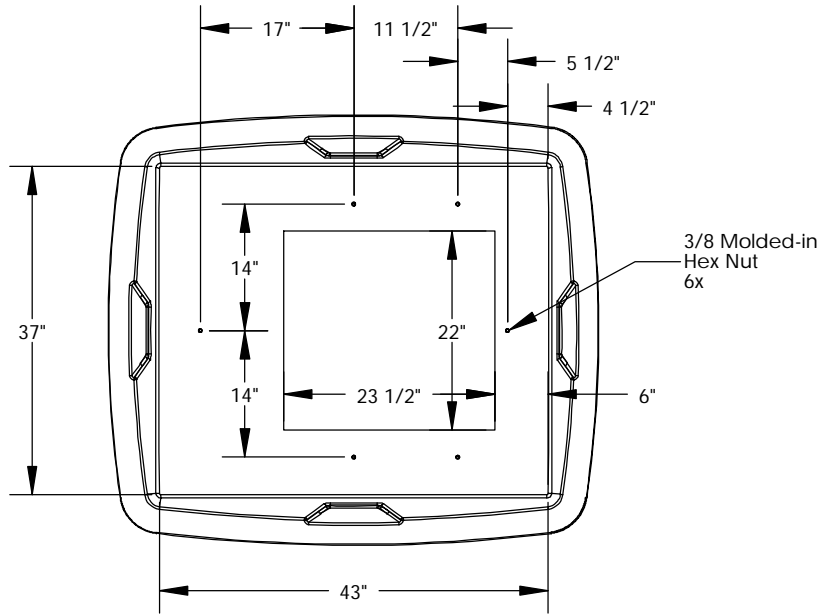


| REVISIONS | | | |
|-----------|-------------|-----------|----------|
| REV. | DESCRIPTION | DATE | APPROVED |
| REL-01 | | 11/8/2005 | |



PROPRIETARY AND CONFIDENTIAL
 THE INFORMATION CONTAINED IN THIS DRAWING IS THE SOLE PROPERTY OF NORDIC FIBERGLASS, INC. ANY REPRODUCTION IN PART OR AS A WHOLE WITHOUT THE WRITTEN PERMISSION OF NORDIC FIBERGLASS, INC. IS PROHIBITED.

Nordic Fiberglass, Inc.
 21415 US Hwy 75 NW, Warren, MN 56762
 www.nordicfiberglass.com
 218-745-5095 ph. ... 218-745-4990 fax

| | | | | | | |
|---|--|--|----------|----------|------------------------|--------------|
| Customer Name: N/A | | | MATERIAL | | CBP-37-43-15A-MG-22X24 | |
| DIMENSIONS ARE IN INCHES TOLERANCES: ANGLES ± 1° FRACTIONAL ± 1/2 ONE PLACE DECIMAL ± .060 TWO PLACE DECIMAL ± .030 THREE PLACE DECIMAL ± .015 | | | NAME | DATE | SIZE | ITEM ID: |
| | | | P.J.W. | 11/07/05 | A | 00150.00 |
| | | | CHECKED | ... | SCALE: 1:20 | REV. REL-01+ |
| | | | | | SHEET 1 OF 1 | |