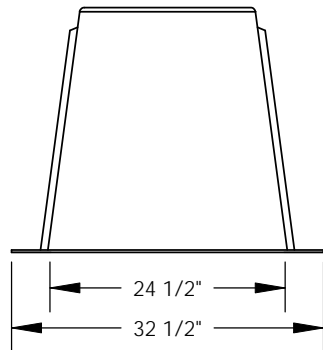
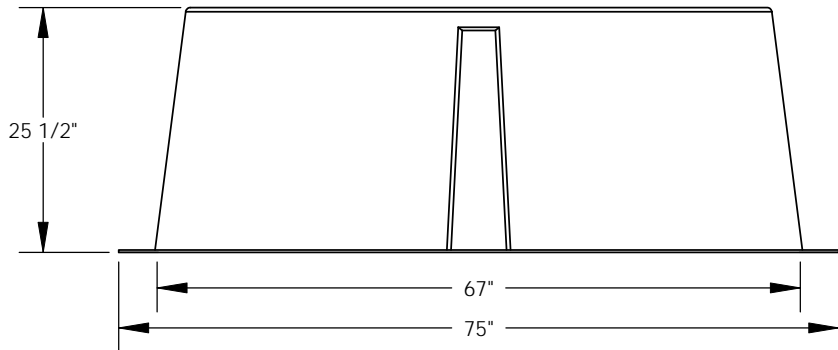
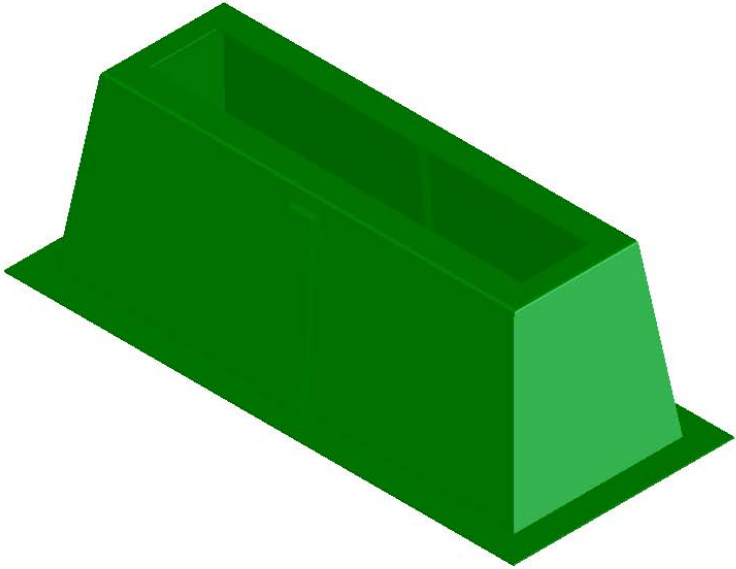
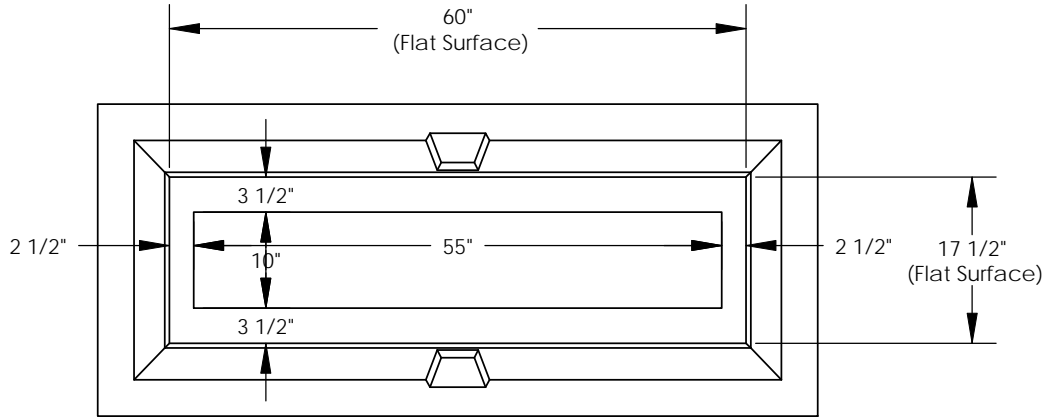


| REVISIONS | | | |
|-----------|-------------|----------|----------|
| REV. | DESCRIPTION | DATE | APPROVED |
| REL-01 | | 5/2/2007 | |



NOTE:
Includes (6) 3/8x1.25 ZN Hex Bolts,
(6) 3/8 ZN Hex Nuts, (12) 3/8 ZN Flat
Washers, (6) 1/2 ZN Flat Washers

Nordic Fiberglass, Inc.

21415 US Hwy 75 NW, Warren, MN 56762
www.nordicfiberglass.com
218-745-5095 ph. --- 218-745-4990 fax

GS-61-18-26-MG-55x10

PROPRIETARY AND CONFIDENTIAL
THE INFORMATION CONTAINED IN THIS DRAWING IS THE SOLE PROPERTY OF
NORDIC FIBERGLASS, INC. ANY REPRODUCTION IN PART OR AS A WHOLE
WITHOUT THE WRITTEN PERMISSION OF NORDIC FIBERGLASS, INC. IS PROHIBITED.

| | | |
|---------------------------|--------|----------|
| Customer Name: N/A | | |
| DIMENSIONS ARE IN INCHES | | |
| TOLERANCES: ANGLES ± 1° | | |
| FRACTIONAL ± 1/2 | | |
| ONE PLACE DECIMAL ±.060 | | |
| TWO PLACE DECIMAL ±.030 | | |
| THREE PLACE DECIMAL ±.015 | | |
| MATERIAL | | |
| DRAWN | NAME | DATE |
| | P.J.W. | 05/02/07 |
| CHECKED | --- | --/--/-- |

| | | |
|------------|----------|---------------|
| SIZE | ITEM ID: | REV. |
| A | 01310.00 | REL-01 |
| SCALE:1:20 | | SHEET 1 OF 1 |