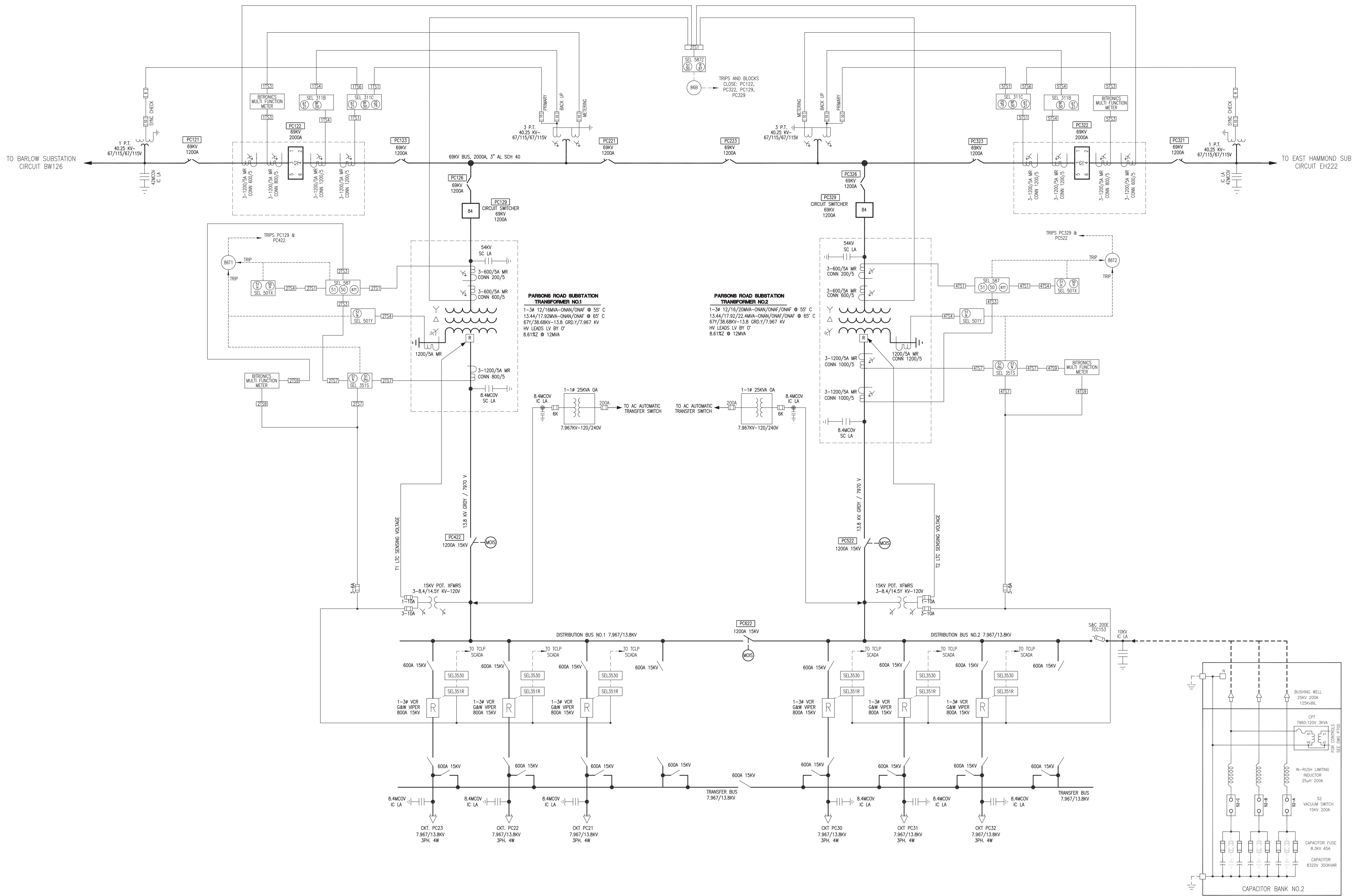


P:\18-0929.01 TCL&P PARSONS SWITCH STATION\POS\PA-005.DWG #1/26/2020 4:33:51 PM



ENG.	NMA	01-26-2020	RECORD DRAWINGS
DR	NMA		
CK	NMA	09-18-2018	QA/QC REVISIONS
APP	MPM	08-15-2018	BIDS & CONSTRUCTION
		08-10-2018	OWNER REVIEW
		DATE	ISSUED FOR

GRP
Engineering, Inc.
PETOSKEY, MICHIGAN, 231-439-9683
GRAND RAPIDS, MICHIGAN, 616-942-7183

TRAVERSE CITY LIGHT & POWER
PARSONS ROAD SUBSTATION - 69KV SWITCH STATION
TRAVERSE CITY, MICHIGAN
SUBSTATION - ONE LINE DIAGRAM

PROJECT NUMBER	DRAWING NUMBER
18-0929.01	005

Copyright © 2018 GRP ENGINEERING, INC.